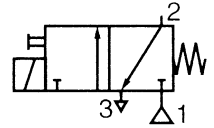


Description:

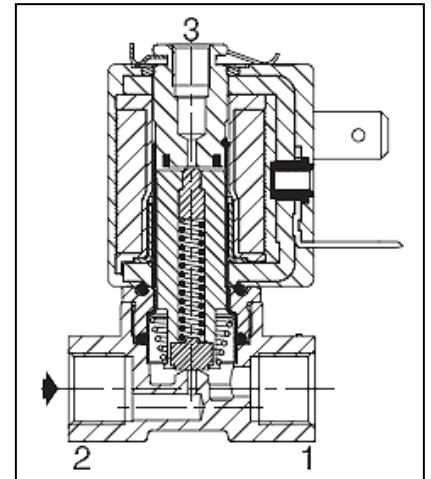
- Compact design for controlling single-acting drives or filling and emptying processes
- Guide tube can be quickly dismantled for easy maintenance
- Manual operator
- Interchangeable magnetic heads (AC/DC)


General:

| | |
|---------------------|--------------------------------------------------|
| Medium * | Air, neutral gases, water, oil |
| Pressure difference | See characteristics valve body [1 bar = 100 kPa] |
| Maximum viscosity | 40 cSt (mm ² /s) |
| Response time | 5 to 10 ms |

Parts in contact with the medium:*

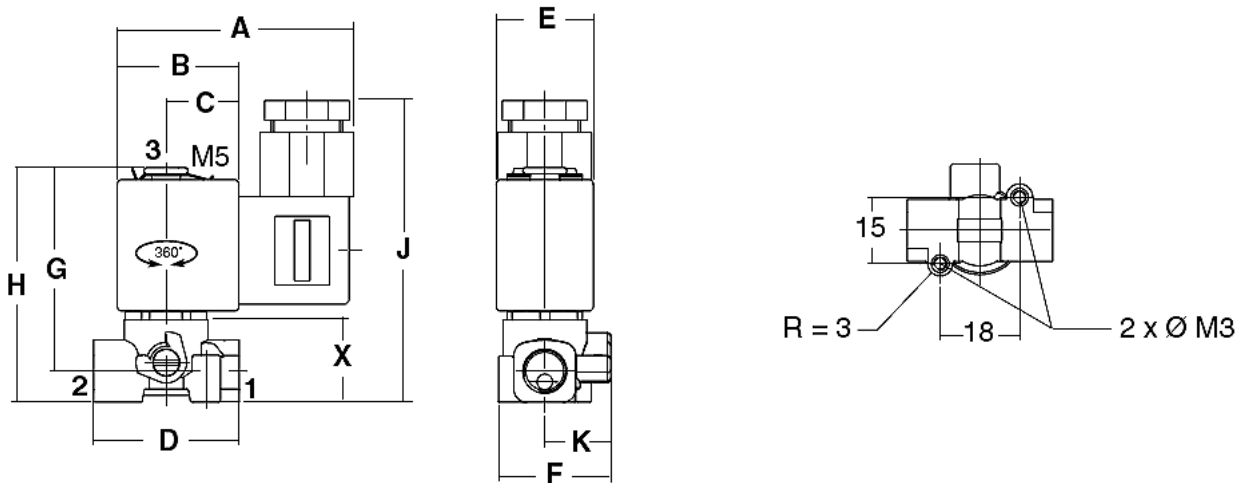
| | |
|-----------------------------------------|----------------------------------------|
| Housing | Stainless steel 1.4401 |
| Guide pipe | Stainless steel |
| Armature of magnet and counter-armature | Stainless steel |
| Springs | Stainless steel |
| Valve seat | Stainless steel |
| Seals and valve disc | FPM |
| End ring | Copper |
| Insulation class | F/IP 65 (with connector socket fitted) |
| Electrical connection | Connector socket acc. to DIN 43650 |
| Electrical design | IEC 65 |



* The resistance of the parts in contact with the medium must be checked separately.



MV18ES24



Solenoid valve, normally closed, directly operated

| Art. No. | Type No. | Thread | DN | A | B | C | D | E | F | G | H | J | K | X |
|----------|-----------|--------|-----|------|------|------|------|------|------|------|------|------|------|------|
| | | | | mm | mm | mm | mm | mm | mm | mm | mm | mm | mm | mm |
| 158094 | MV18ES24 | G 1/8 | 1.2 | 60.5 | 27.5 | 16.5 | 33.0 | 22.0 | 25.5 | 46.0 | 53.0 | 69.0 | 15.0 | 18.6 |
| 158093 | MV18ES230 | G 1/8 | 1.2 | 60.5 | 27.5 | 16.5 | 33.0 | 22.0 | 25.5 | 46.0 | 53.0 | 69.0 | 15.0 | 18.6 |

Solenoid valve, normally closed, directly operated

| Art. No. | Type No. | Thread | Voltage | Operating pressure min. / max. (1) bar | Medium temperature min. / max. (2) °C | Weight * kg |
|----------|-----------|--------|----------------------|----------------------------------------------|---------------------------------------------|----------------|
| 158094 | MV18ES24 | G 1/8 | 24 V DC | 0 / 15 | -10 / 100 | 0.138 |
| 158093 | MV18ES230 | G 1/8 | 230 V AC, 50 - 60 Hz | 0 / 15 | -10 / 100 | 0.138 |

* Inkl. Solenoid and connector

(1) For detailed pressure information each medium, please see characteristics valve body.

(2) At temperatures below zero the medium may freeze and damage the valve.

Characteristics valve body:

| Connection | | Nom. width | Flow coefficient (Kv) | | | | Working pressure difference (bar) | | | Manual operator | Solenoid valve Art. No. |
|------------|----|------------|-----------------------|-------|-------------------|-------|-----------------------------------|--------|--------|-----------------|-------------------------|
| | | | | | | | Air / oil / water | | | | |
| 2 -> 1 | 3 | (mm) | 2 -> 1 | | 3 -> 1 | | min. | max. ~ | max. = | ja | 158094 158094 |
| | | | m ³ /h | l/min | m ³ /h | l/min | | | | | |
| G 1/8 | M5 | 1.2 | 0.05 | 0.8 | 0.05 | 0.8 | 0 | 15 | 15 | ja | 158094 158094 |

Electrical data:

| Coils | | | | Power | | | Ambient Temperature of magnet |
|----------|-------------|----------|-------------|--------|---------|-----|-------------------------------|
| AC | | DC | | Pickup | Holding | | |
| Type No. | Voltage [V] | Type No. | Voltage [V] | AC | | | DC |
| | | | | [VA] | [VA] | [W] | [W] |
| 430-429 | 230/50 | 430-413 | 24 | 12 | 6 | 4 | 5 / 6.9 |
| 430-425 | 115/50 | 430-411 | 12 | | | | |

Special versions (on request):

- Stainless steel body
- EPDM seals
- Ex protection acc. to ATEX 94/9 EC, Zones 1/21-2/22, Category 2-3
- Oxygen applications
- Cable socket with LED and protective circuit

Installation:

- Any mounting position
- Valve bodies have two mounting holes
- Threaded connections G acc. to DIN EN ISO 228-1
- Installation and maintenance instructions enclosed with each valve